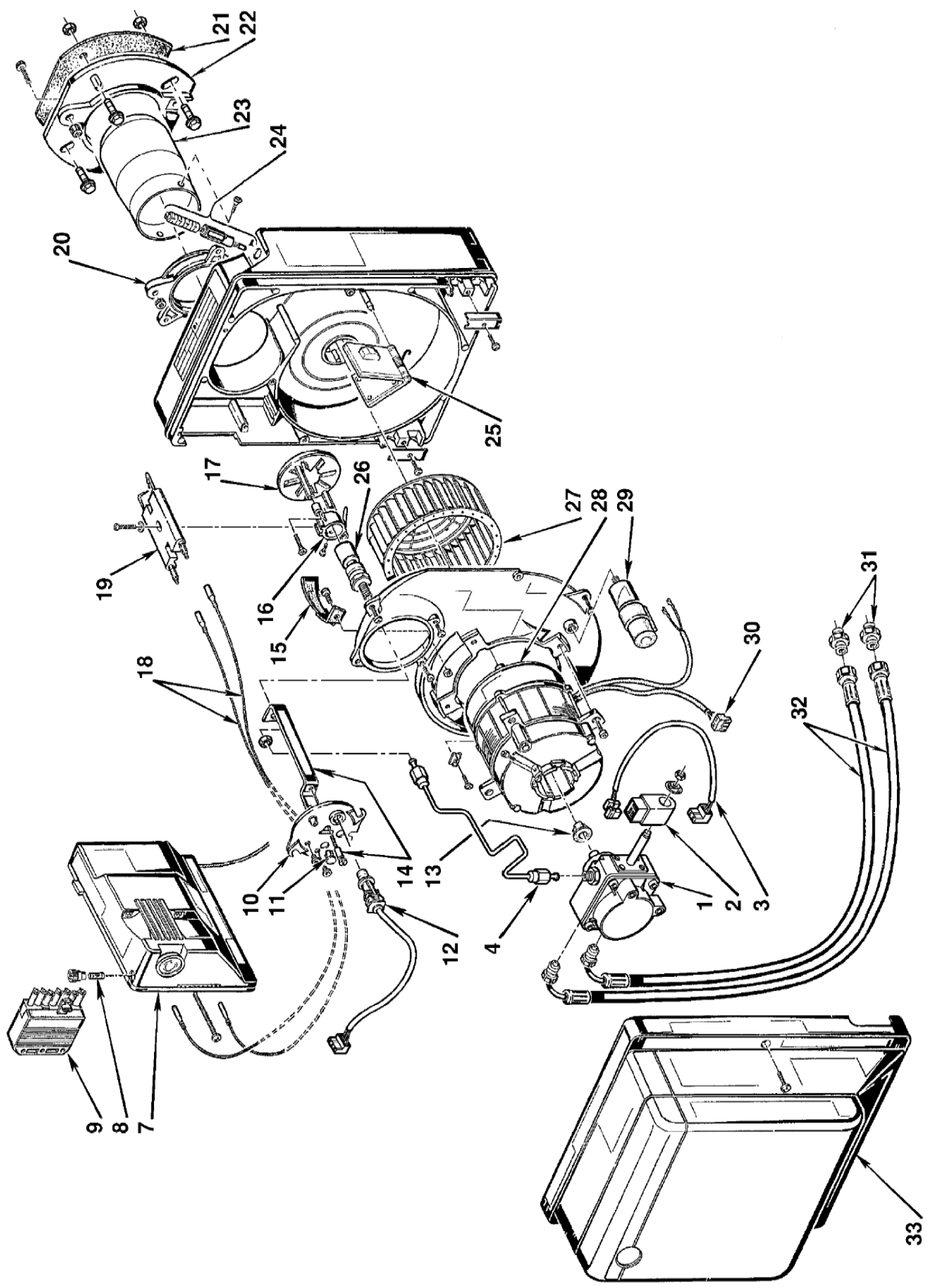


RG 2F / RG 3F / RG 4F

UNIT 1

ILLUSTRATED PARTS BREAKDOWN



Pos.	RG2 F	RG3 F	RG4 F	Description
1	4614.076	4614.027	4614.076	OIL PUMP
1.1	4614.025	4614.025	4614.025	NEEDLE VALVE
1.2	4614.028	4614.028	4614.028	OIL PUMP FILTER
2	4614.086	4614.086	4614.086	COIL
3	4614.022	4614.022	4614.022	LEAD
4	4614.117	4614.031	4614.031	TUBE
7	4614.010	4614.010	4614.010	CONTROL BOX 552SE
8	4614.018	4614.018	4614.018	FUSE
9	4614.001	4614.001	4614.001	7 PIN PLUG
10	4614.118	4614.011	4614.011	BURNER DISC
11	4614.032	4614.032	4614.032	VIEWING PORT
12	4614.029	4614.029	4614.029	PHOTOCELL
13	4614.021	4614.021	4614.021	JOINT
14	4614.119	4614.005	4614.005	BRACKET AND SCREW
15	4614.097	4614.030	4614.030	SUCTION DUCT
16	4614.013	4614.013	4614.013	DIFFUSER DISC SUPPORT
17	4614.120	4614.012	4614.012	DIFFUSER DISC
18	4614.020	4614.020	4614.020	HIGH VOLTAGE LEAD
19	4614.014	4614.014	4614.014	ELECTRODE ASSEMBLY
20	4614.121	4614.008	4614.008	COLLAR
21	4614.112	4614.019	4614.019	GASKET
22	4614.122	4614.016	4614.016	FLANGE
23	4614.123	4614.004	4614.077	BLAST TUBE
24	4614.124	4614.003	4614.078	AIR DAMPER REGULATOR
25	4614.125	4614.002	4614.002	AIR DAMPER
26	4614.026	4614.026	4614.026	NOZZLE HOLDER
27	4614.090	4614.015	4614.015	FAN
28	4614.126	4614.023	4614.023	MOTOR
29	4614.127	4614.006	4614.006	CAPACITOR 6,3 µF
30	4614.024	4614.024	4614.024	MOTOR SOCKET
31	4614.009	4614.009	4614.009	CONNECTOR
32	4614.017	4614.017	4614.017	FLEXIBLE OIL LINE
33	S/R	S/R	S/R	COVER
not shown	4031.081	-	-	NOZZLE 1.50, 60° S
not shown	-	4515.917	-	NOZZLE 2.50, 60° B
not shown	-	-	4515.916	NOZZLE 4.50, 60° B
	4514.317	-	-	COMPLETE OIL BURNER RG2 F
	-	4514.302	-	COMPLETE OIL BURNER RG3 F
	-	-	4514.304	COMPLETE OIL BURNER RG4 F

S/R = Parts available on special request only